

# Original 1227™ Brass Wall Light

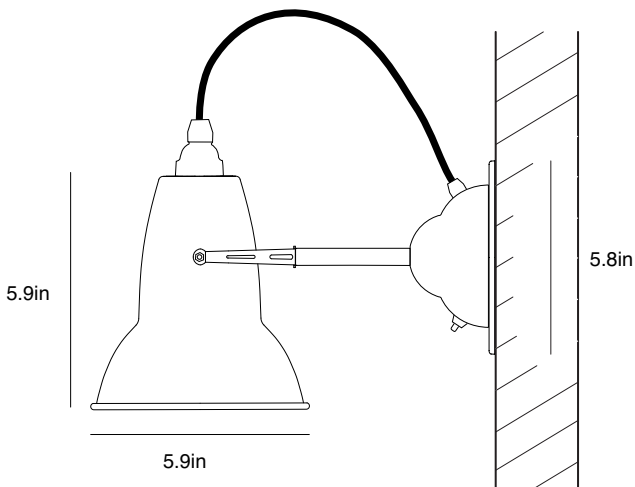
ANGLEPOISE®

Original 1227™ Brass Collection | Technical Sheet

Launched In 2014 | Designed by George Carwardine



Max. 11.8in



## Product

Wall Light - Elephant Grey  
Wall Light - Dusty Blue  
Wall Light - Deep Slate

## Description

Heritage inspired colors and authentic brass details create a new aesthetic for this iconic Anglepoise® design, whilst desk, wall and pendant options introduce greater versatility. The wall light features a discrete switch located on the wall plate and has a flexible shade, so the light can be focused just where it's needed.

## Materials

- Gloss paint finish
- Steel shade
- Painted steel arm
- Brass shade cap, bridle and fittings
- Steel wall plate
- Color-matched Junction Box Mounting Kit

## Dimensions

- Shade diameter: 5.9in
- Shade height: 5.9in
- Max reach: 11.8in (from wall to shade)
- Wall plate diameter: 3.9in
- Light packaging (L x W x H): 8.7in x 5.9in x 11.4in
- Light packaged weight: 2lbs
- Junction Box Mounting Kit: Depth 0.3in, Diameter 5.8in

## Electrical

- Voltage: 110/120V, 50/60Hz
- E26 lamp holder
- Maximum permitted bulb: 15W CFL / 10W LED
- Push switch on wall plate
- Bulb not included
- cUL certified