

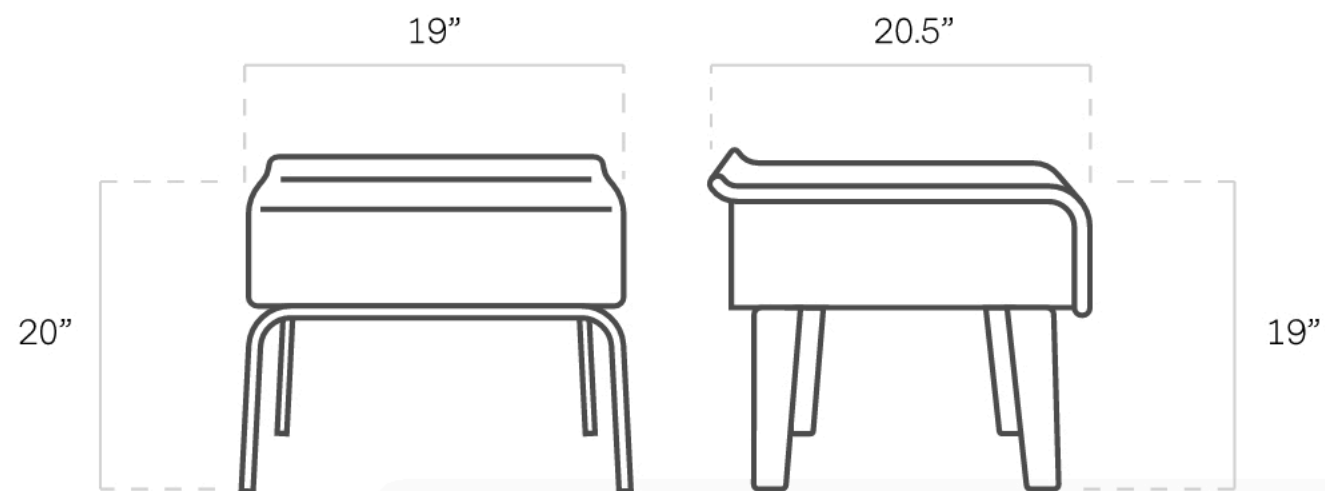
Description

The Case Study® Alpine Bed Side Table is the perfect companion for the [Case Study Alpine Bed](#). The table is engineered and built with sixteen layers of North American Maple with the top veneer of rich North American walnut. Incredibly strong, yet elegant and graceful with its bent lines, this table is built to last for generations.

The Alpine Series was designed by Modernica. The inspiration for the series comes from a respect and appreciation of the traditional craftsmanship of vintage-sporting equipment; such as bentwood tennis rackets and wooden skis. The Case Study Alpine Series, with its simple and fluid lines of molded layered wood, has proven to be an instant classic in modern furniture.

Made in California.

Dimensions



Shipping

The shipping box dimensions

20"(H) x 22"(W) x 26"(D) ; 60 lbs. packed

Assembly

Assembly required

[Alpine Bedside Table Assembly Instructions](#)