



Real Good Counter Stool

Thin is in. Powder-coated steel ships flat and folds along laser-cut lines to create a dynamic and comfortable chair. As skinny as a supermodel yet far more sturdy. Available in aqua, ivory and white with gray legs or four glossy tone-on-tone colors: black, green, humble red or navy. Also available in copper. Shop the entire Real Good Collection.



AQUA



BLACK



GREEN



IVORY/GREY



NAVY



RED



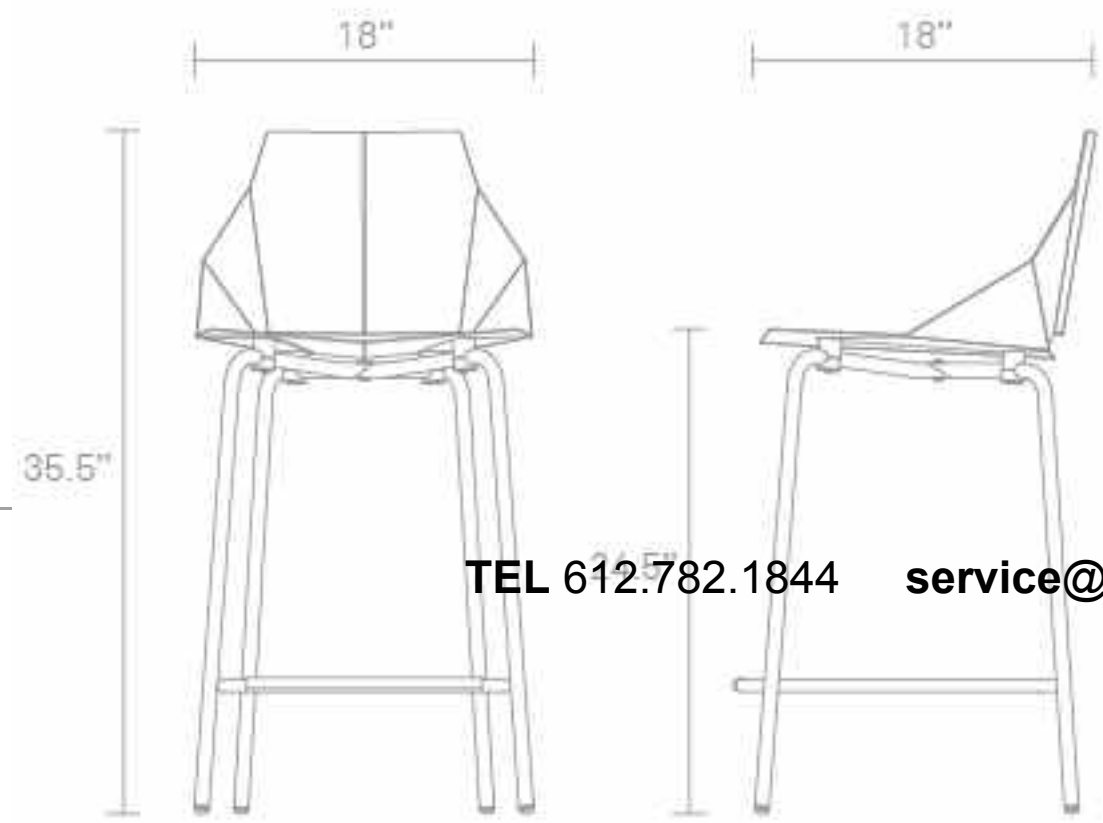
WHITE / GREY

Materials

- Powder-coated steel seat & back
- Painted carbon steel legs
- Assembly required. Re-tighten hardware periodically.

RG1-CTRSTL-AQ	AQUA	\$249.00
RG1-CTRSTL-BK	BLACK	\$249.00
RG1-CTRSTL-GR	GREEN	\$249.00
RG1-CTRSTL-IV	IVORY/GREY	\$249.00
RG1-CTRSTL-NV	NAVY	\$249.00
RG1-CTRSTL-RD	RED	\$249.00
RG1-CTRSTL-WH	WHITE / GREY	\$249.00

BLUDOT.COM



TEL 612.782.1844 service@bludot.com



Real Good Barstool

Thin is in. Powder-coated steel ships flat and folds along laser-cut lines to create a comfortable and unique bar stool. As skinny as a supermodel yet far more sturdy. Available in aqua, ivory and white with gray legs or four glossy tone-on tone colors: black, green, humble red or navy. Also available as copper bar stool. Shop the entire Real Good Collection.



AQUA



BLACK



GREEN



IVORY/GREY



NAVY



RED

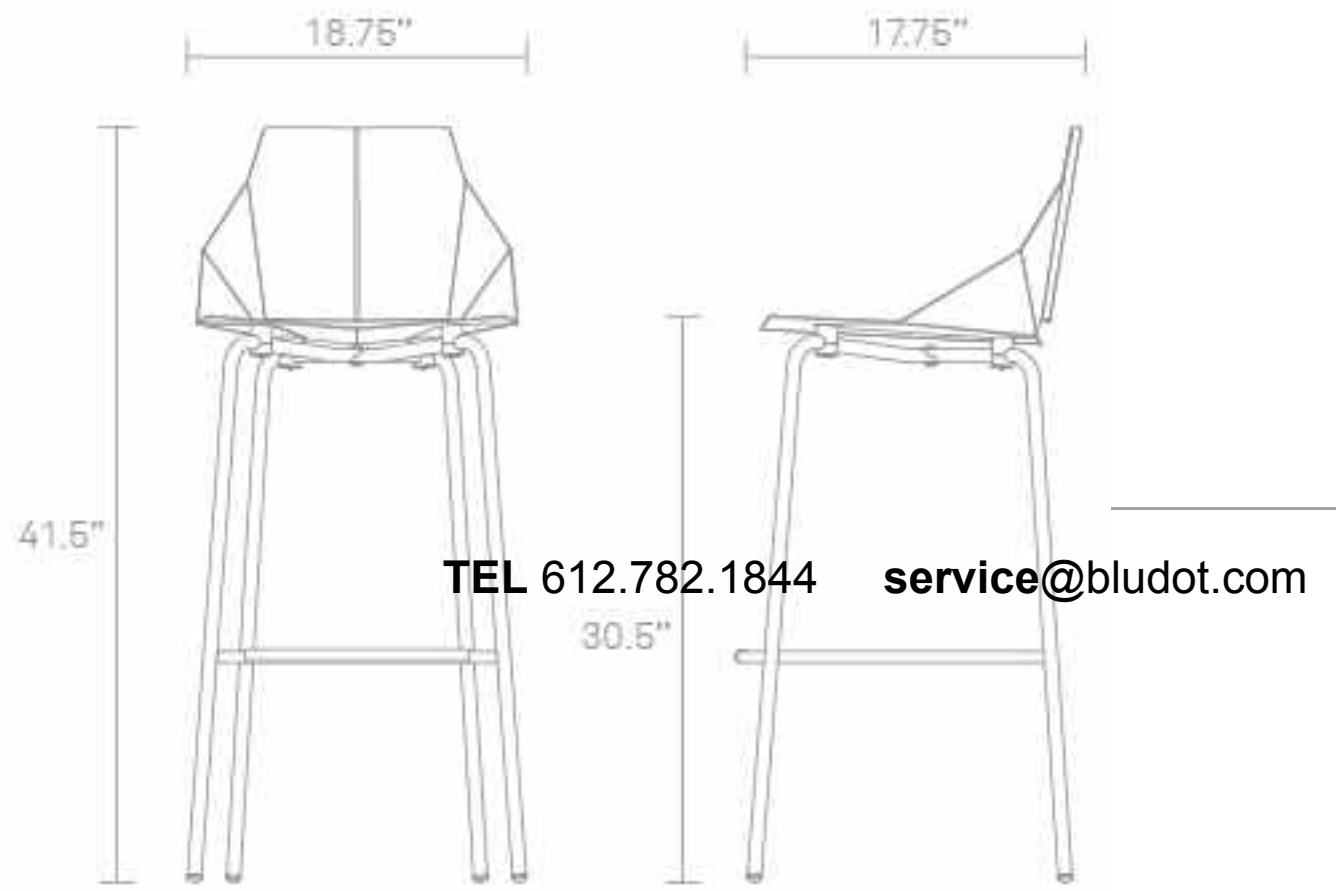


WHITE / GREY

Materials

Real Good Modern Bar Stool:

RG1-BARSTL-AQ	AQUA	\$249.00
RG1-BARSTL-BK	BLACK	\$249.00
RG1-BARSTL-GR	GREEN	\$249.00
RG1-BARSTL-IV	IVORY/GREY	\$249.00
RG1-BARSTL-NV	NAVY	\$249.00
RG1-BARSTL-OR	ORANGE	\$249.00
RG1-BARSTL-PK	PINK	\$249.00
RG1-BARSTL-RD	RED	\$249.00
RG1-BARSTL-WH	WHITE / GREY	\$249.00





Real Good Felt Stool Pad

A wafer-thin seat pad makes a perfect accessory for the Real Good Stool. Its slim profile won't spoil the clean lines. Non-slip rubber pad cleverly holds it in place. Available in an array of felted wool colors, in addition to black and white leather alternative. Real Good Stool sold separately. Shop the entire Real Good Collection.



GREEN OLIVE



HEATHERED GRAPHITE



HEATHERED LIGHT BLUE



HEATHERED OFF WHITE



MANGO

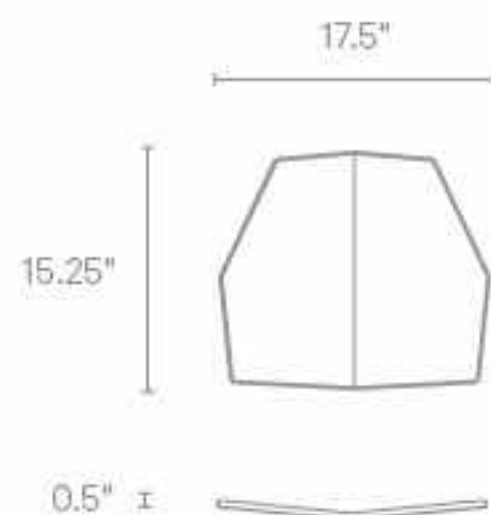


YELLOW

Materials

- 100% Merino, felted wool
- Non-slip rubber backing

Please note that the Copper Real Good Stool finish will tarnish more rapidly when in contact with the non-slip latex backing of the Real Good Stool Pad.



RG1-STLPAD-OL	GREEN OLIVE	\$39.00
RG1-STLPAD-GP	HEATHERED GRAPHITE	\$39.00
RG1-STLPAD-BL	HEATHERED LIGHT BLUE	\$39.00
RG1-STLPAD-OW	HEATHERED OFF WHITE	\$39.00
RG1-STLPAD-MG	MANGO	\$39.00
RG1-STLPAD-YL	YELLOW	\$39.00

BLUDOT.COM

TEL 612.782.1844 **service@bludot.com**



Real Good Stool Pad

A wafer-thin seat pad makes a perfect accessory for the Real Good stool. Its slim profile won't spoil the clean lines. Magnets and non-slip rubber cleverly hold it in place. In black or white leather alternative. Real Good Stools sold separately. Shop the entire Real Good Collection.



BLACK

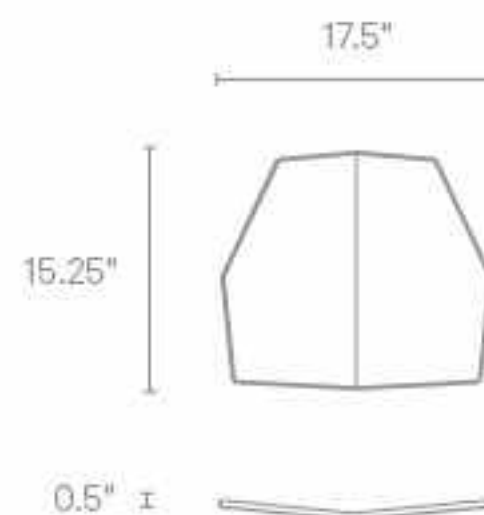


WHITE

Materials

- Flesh-free leather alternative upholstery
- Textured non-slip backing
- Interior magnets for stability

Please note that the Copper Real Good Stool finish will tarnish more rapidly when in contact with the non-slip latex backing of the Real Good Stool Pad.



RG1-STLPAD-BK	BLACK	\$39.00
RG1-STLPAD-WH	WHITE	\$39.00

BLUDOT.COM

TEL 612.782.1844 **service@bludot.com**