

PRODUCT FACT SHEET

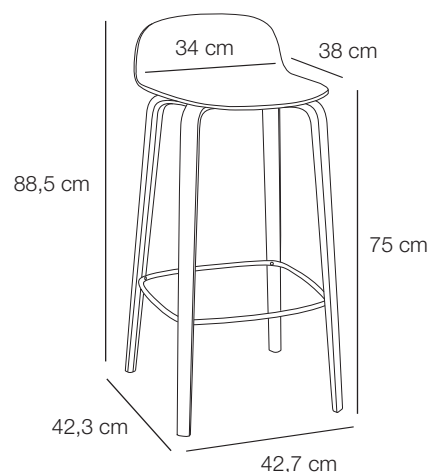
VISU BAR STOOL FURNITURE / LIGHTING / ACCESSORIES

Mika Tolvanen on the design "The Visu Bar Stool is a natural continuation of the Visu chair. The idea was to create a simple and elegant stool with great seating comfort, supported by a discrete footrest. The proportions of the chair are exactly right, and the chair is able to combine small elegant curves with longer straight lines in the quest of becoming an ever-relevant furniture."

PROCESS	Shell is form-pressed. Base is cut and all elements are lacquered.
DESIGNED BY / YEAR OF DESIGN	Mika Tolvanen / 2014
TYPE	Bar stool
DESCRIPTION	A simple and functional bar stool for professional or private interiors, in black, grey or oak with a durable footrest in steel. Upholstered versions with textile from Kvadrat or leather from Camo is available for projects.
ENVIRONMENT	Indoor
DIMENSIONS (CM)	Low: H: 78.5, D: 42.3, W: 42.7, SH: 65 High: H: 88.5, D: 42.3, W: 42.7, SH: 75
MATERIAL	The oak chair is made of a oak base, oak veneer shell and a steel footrest. The coloured chair is made of PU-lacquered ash base, ash veneer shell and a PU-lacquered steel footrest.
SPARE PARTS	Comes with standard glides.
COLOUR	Grey, black, oak Leather upholstery: Black/ Black Silk leather, Oak/ Cognac Silk leather
CLEANING INSTRUCTIONS	Use moist cloth first, then wipe off excess liquid with dry cloth.
ABOUT THE DESIGNER	Mika Tolvanen is part of the Finnish Rehti Design group. After graduating from the Royal College of Art with a Master in design in 2001, Mika established his own design office in Helsinki. Since then he has worked with some of the world's top designers and manufacturers.



HIGH



LOW

