

FLOS

GLO-BALL C/W ZERO

Mounting	Ceiling/wall
Lamps description	1 x MAX 60W E14 HSGS
Environment	Indoor
Finish	White
Technical description	Wall or ceiling lamp providing diffused light. Diffuser consisting of an externally acidetched, hand blown, flashed opaline glass and a die-cast aluminum threaded ring nut with alodine plating finish. 30% fiberglass reinforced injectionmolded polyamide base. Gray painted, die-cast aluminum diffuser support.



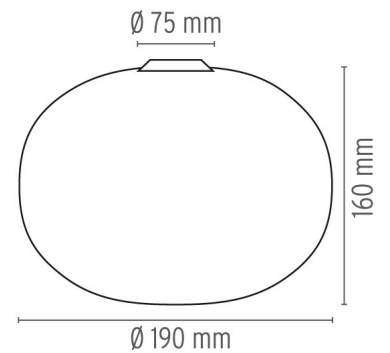
GLO-BALL C/W ZERO

designed by Jasper Morrison

Wall or ceiling lamp providing diffused light.

● F3335009 White

DIMENSIONS

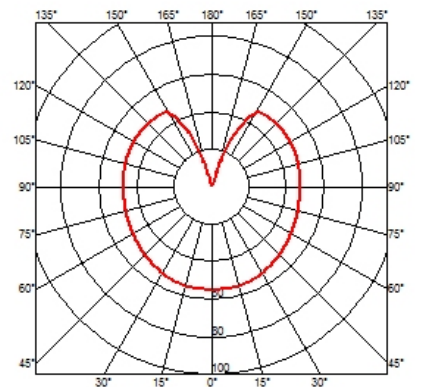
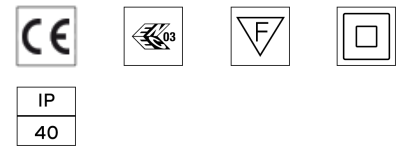


PHYSICAL

Supply	Terminal block
Construction material	Glass
Weight (kg)	1



CERTIFICATIONS



GLO-BALL C/W ZERO . Lamps



60W E14 HSGS

Lamp wattage:
60 W

Lamp category:
Halogen mains

Socket:
E14

Lamp type:
HSGS



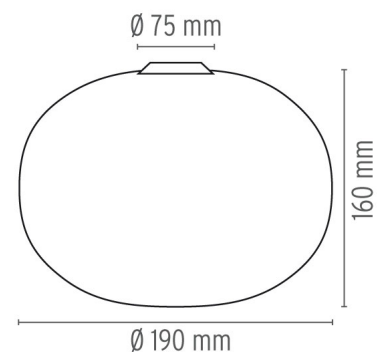
GLO-BALL C/W ZERO

designed by Jasper Morrison

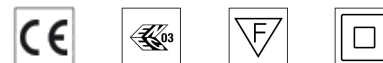
Wall or ceiling lamp providing diffused light.

● F3335009 White

DIMENSIONS



CERTIFICATIONS



IP
40

